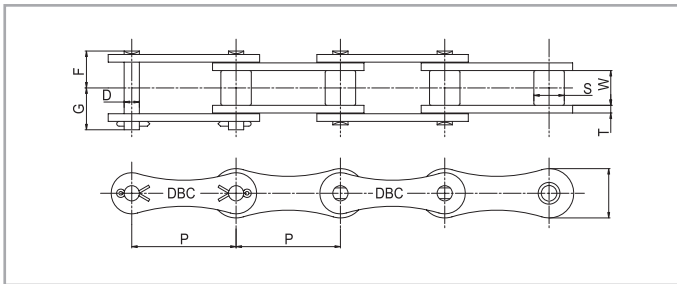




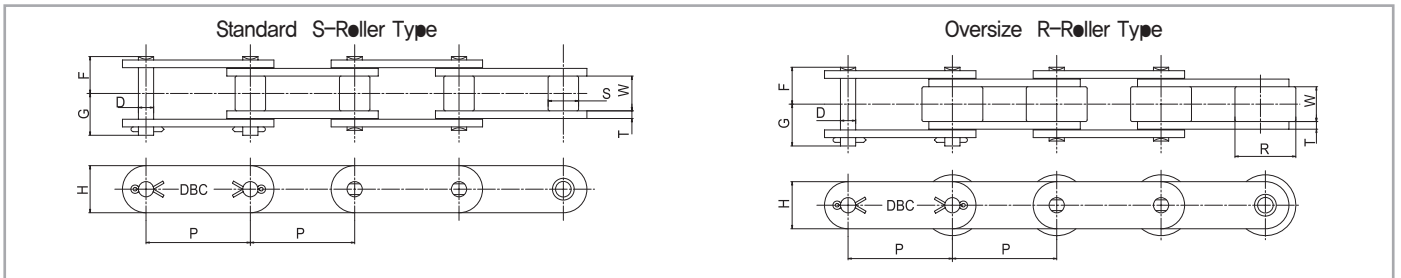
Double Pitch Chain

- * Dong Bo Double Pitch Chain conform to ANSI and manufactured in <Environment Resistant Chain Series > as are single pitch chain.
- * Heavy side plates are used for 2060H, 2062H and up

Type-A

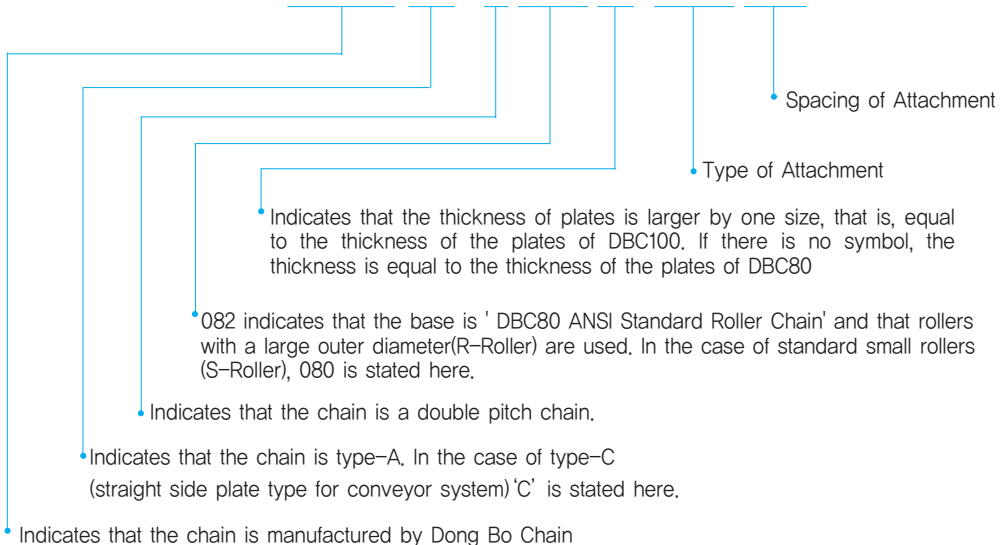


Type-C



Double Pitch Chain : Example of type indication

DBC A 2082 H A-2 2L



Double Pitch Chain

| DONG BO Chain No. | Pitch | Inner Width | Roller Dia S-Roller | Roller Dia R-Roller | Pin | | | Plate | | Avg Breaking Load | max Allowable Load | Approx. Weight |
|-------------------|-------|-------------|---------------------|---------------------|-----|---|-------|-------|-------|-------------------|--------------------|----------------|
| | P | W min | S max | R | F | G | D max | T | H max | kgf | kgf | kg/m |

Type-A

unit : mm

| | | | | | | | | | | | | |
|------------------|-------|-------|-------|---|-------|-------|-------|-----|------|--------|-------|------|
| DBC A2040 | 25.40 | 7.95 | 7.94 | - | 8.25 | 9.95 | 3.97 | 1.5 | 12.0 | 1,700 | 270 | 0.40 |
| DBC A2050 | 31.75 | 9.53 | 10.16 | - | 10.30 | 12.00 | 5.09 | 2.0 | 15.0 | 2,800 | 450 | 0.66 |
| DBC A2060 | 38.10 | 12.70 | 11.91 | - | 12.85 | 14.75 | 5.96 | 2.4 | 18.0 | 4,100 | 660 | 0.96 |
| DBC A2080 | 50.80 | 15.88 | 15.88 | - | 16.25 | 19.25 | 7.94 | 3.2 | 24.1 | 7,000 | 1,150 | 1.73 |
| DBC A2100 | 63.50 | 19.05 | 19.05 | - | 19.75 | 22.85 | 9.54 | 4.0 | 30.1 | 11,000 | 1,900 | 2.57 |
| DBC A2120 | 76.20 | 25.40 | 22.23 | - | 24.90 | 28.90 | 11.11 | 4.8 | 36.2 | 15,400 | 2,600 | 3.68 |

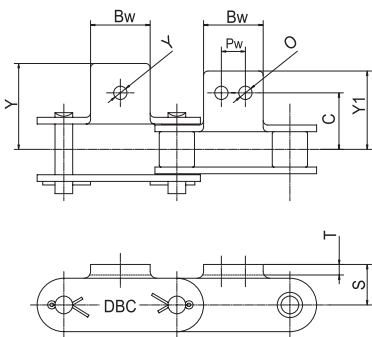
Type-C

| | | | | | | | | | | | | |
|--------------------|--------|-------|-------|-------|-------|-------|-------|-----|------|--------|-------|-------|
| DBC C2040 | 25.40 | 7.95 | 7.94 | - | 8.25 | 9.95 | 3.97 | 1.5 | 12.0 | 1,700 | 270 | 0.51 |
| DBC C2042 | | | - | 15.88 | | | | | | | | 0.87 |
| DBC C2050 | 31.75 | 9.53 | 10.16 | - | 10.30 | 12.00 | 5.09 | 2.0 | 15.0 | 2,800 | 450 | 0.84 |
| DBC C2052 | | | - | 19.05 | | | | | | | | 1.30 |
| DBC C2060 H | 38.10 | 12.70 | 11.91 | - | 14.55 | 16.55 | 5.96 | 3.2 | 18.1 | 4,100 | 660 | 1.51 |
| DBC C2062 H | | | - | 22.23 | | | | | | | | 2.19 |
| DBC C2080 H | 50.80 | 15.88 | 15.88 | - | 18.30 | 20.90 | 7.94 | 4.0 | 24.1 | 7,000 | 1,150 | 2.66 |
| DBC C2082 H | | | - | 28.58 | | | | | | | | 3.68 |
| DBC C2100 H | 63.50 | 19.05 | 19.05 | - | 21.80 | 24.50 | 9.54 | 4.8 | 30.1 | 11,000 | 1,900 | 3.99 |
| DBC C2102 H | | | - | 39.67 | | | | | | | | 6.30 |
| DBC C2120 H | 76.20 | 25.40 | 22.23 | - | 26.95 | 30.55 | 11.11 | 5.6 | 36.2 | 15,400 | 2,600 | 5.35 |
| DBC C2122 H | | | - | 44.45 | | | | | | | | 8.60 |
| DBC C2160 H | 101.60 | 31.75 | 28.58 | - | 33.65 | 38.45 | 14.29 | 7.2 | 48.2 | 26,300 | 4,300 | 9.42 |
| DBC C2162 H | | | - | 57.15 | | | | | | | | 11.79 |

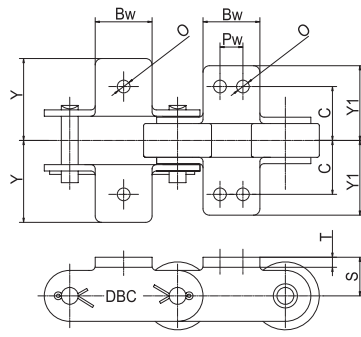
* C2040~: standard S-Roller Type * C2040~: standard S-Roller Type



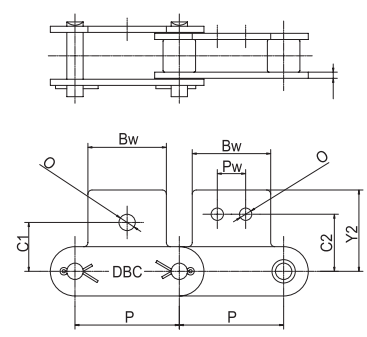
Double Pitch Attachment Chain



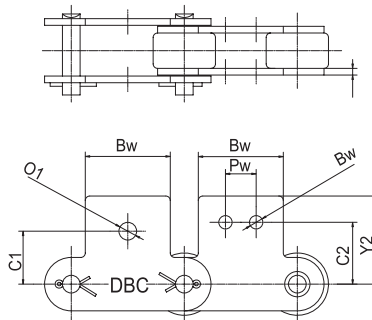
A-1, A-2 Att.*



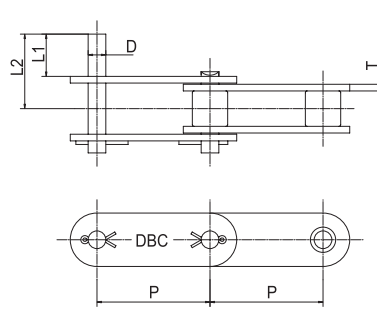
K-1, K-2 Att.



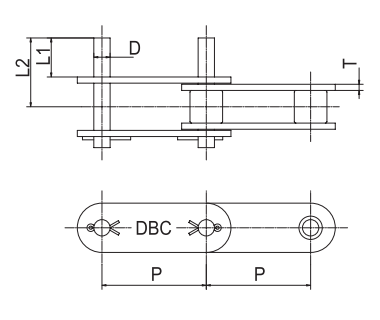
SA-1, SA-2 Att.



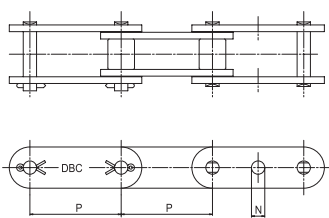
SK-1, SK-2 Att.



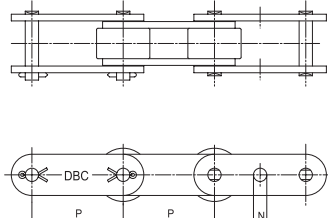
D-1 Att.



D-3 Att.



G-Att. (S-Roller Type)



G-Att. (R-Roller Type)

* Att.=Attachment



Double Pitch Attachment Chain

| DONG BO Basic Chain No. | Attachment Dimensions | | | | | | | | | |
|----------------------------|-----------------------|-----|-------|-------|-------|-------|-------|-------|-------|-------|
| | P | T | C | C1 | C2 | Bw | Pw | O | O1 | S |
| | unit : mm | | | | | | | | | |
| DBC C2040 | 25.40 | 1.5 | 12.70 | 11.10 | 13.60 | 19.10 | 9.50 | 3.60 | 5.20 | 9.10 |
| DBC C2042 | | | | | | | | | | |
| DBC C2050 | 31.75 | 2.0 | 15.90 | 14.30 | 15.90 | 23.80 | 11.90 | 5.20 | 6.80 | 11.10 |
| DBC C2052 | | | | | | | | | | |
| DBC C2060H | 38.10 | 3.2 | 21.45 | 17.50 | 19.10 | 28.60 | 14.30 | 5.20 | 8.70 | 14.70 |
| DBC C2062H | | | | | | | | | | |
| DBC C2080H | 50.80 | 4.0 | 27.80 | 22.20 | 25.40 | 38.10 | 19.10 | 6.80 | 10.30 | 19.10 |
| DBC C2082H | | | | | | | | | | |
| DBC C2100H | 63.50 | 4.8 | 33.35 | 28.60 | 31.80 | 47.60 | 23.80 | 8.70 | 14.30 | 23.40 |
| DBC C2102H | | | | | | | | | | |
| DBC C2120H | 76.20 | 5.6 | 39.70 | 33.30 | 37.30 | 57.20 | 28.60 | 14.00 | 16.00 | 27.80 |
| DBC C2122H | | | | | | | | | | |
| DBC C2160H | 101.60 | 7.2 | 52.39 | 44.45 | 50.80 | 76.20 | 38.10 | 16.10 | 19.50 | 36.50 |
| DBC C2162H | | | | | | | | | | |

| DONG BO Basic Chain No. | Attachment Dimensions | | | | | | | Additional Weight per Attachment(kg) | | | |
|----------------------------|-----------------------|-------|-------|------|------|-------|-------|--------------------------------------|-------|-------|-------|
| | Y | Y1 | Y2 | D | L1 | L2 | N | A&SA | K&SK | D-1 | D-3 |
| | unit : mm | | | | | | | | | | |
| DBC C2040 | 19.30 | 17.60 | 19.80 | 3.97 | 9.5 | 16.85 | 4.07 | 0.003 | 0.006 | 0.001 | 0.002 |
| DBC C2042 | | | | | | | | | | | |
| DBC C2050 | 24.20 | 22.00 | 24.60 | 5.09 | 11.9 | 21.15 | 5.20 | 0.006 | 0.012 | 0.002 | 0.004 |
| DBC C2052 | | | | | | | | | | | |
| DBC C2060H | 31.50 | 28.20 | 30.60 | 5.96 | 14.3 | 27.50 | 6.07 | 0.017 | 0.034 | 0.003 | 0.006 |
| DBC C2062H | | | | | | | | | | | |
| DBC C2080H | 40.70 | 36.60 | 40.50 | 7.94 | 19.1 | 35.58 | 8.10 | 0.037 | 0.074 | 0.007 | 0.014 |
| DBC C2082H | | | | | | | | | | | |
| DBC C2100H | 49.90 | 44.90 | 50.40 | 9.54 | 23.8 | 43.58 | 9.67 | 0.067 | 0.134 | 0.012 | 0.024 |
| DBC C2102H | | | | | | | | | | | |
| DBC C2120H | 60.70 | 54.40 | 59.90 | - | - | - | 11.24 | 0.100 | 0.200 | - | - |
| DBC C2122H | | | | | | | | | | | |
| DBC C2160H | 79.00 | 71.00 | 78.60 | - | - | - | 14.47 | 0.240 | 0.490 | - | - |
| DBC C2162H | | | | | | | | | | | |