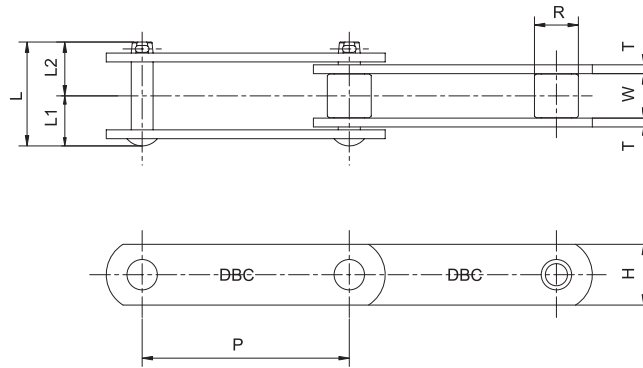


## Wear-Resistant Bucket elevator chain

A regular wear resistant conveyor chain is made from quenched and tempered alloy steel. But this <Wear-Resistant Bucket elevator chain> made from specially selected alloy steel for the unique combination of demands from the application. Dong Bo has developed a special solution after a lot of experiment. For example, components (bush, pin, roller) are ideally combined in point of dimensions, clearance and hardness. This concept enable that the chain can extend its life up to 2times that of regular wear resistant conveyor chains.

### Applications

Cement Works, Coal Mining, Iron Works, Glass Industry, Heavy duty conveying applications, etc.

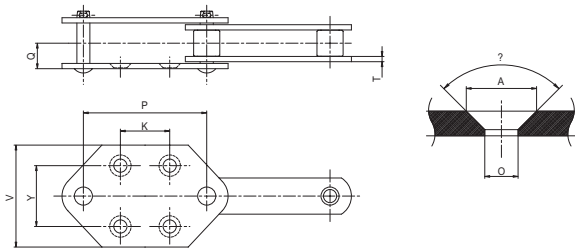


Unit :mm

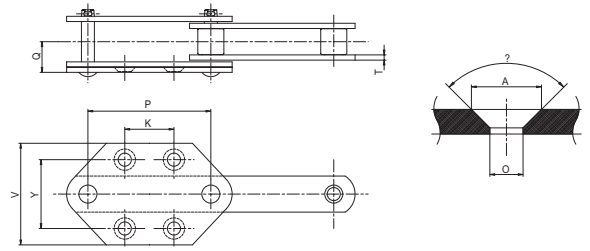
| DONG BO CHAIN NO. | pitch P | Avg. Breaking Load |         |         |         | Roller Dia. R | Inner width W | Plate |      | Pin   |      |       | approx weight (kg/m) |
|-------------------|---------|--------------------|---------|---------|---------|---------------|---------------|-------|------|-------|------|-------|----------------------|
|                   |         | CN Type            | CH Type | CC Type | CE Type |               |               | H     | T    | L1    | L2   | L     |                      |
| DBC WB10150S      | 150     | 11,500             | 23,000  | 11,500  | 21,500  | 29            | 30            | 38.1  | 6.3  | 33    | 36   | 69    | 5.4                  |
| DBC WB12006S      | 152.4   | 19,000             | 28,500  | 19,000  | 28,500  | 34.9          | 37.1          | 44.5  | 7.9  | 40.5  | 43   | 83.5  | 8.6<br>7.8           |
| DBC WB12200S      | 200     |                    |         |         |         |               |               |       |      |       |      |       |                      |
| DBC WB17200S      | 200     | 25,000             | 39,500  | 25,000  | 39,500  | 40.1          | 51.4          | 50.8  | 9.5  | 51.5  | 58   | 109.5 | 11.6<br>10.7         |
| DBC WB17250S      | 250     |                    |         |         |         |               |               |       |      |       |      |       |                      |
| DBC WB26200N      | 200     | 30,500             | 57,500  | 30,500  | 52,000  | 50.8          | 57.2          | 63.5  | 9.5  | 56    | 61   | 117   | 16.2<br>14.7<br>13.9 |
| DBC WB26250N      | 250     |                    |         |         |         |               |               |       |      |       |      |       |                      |
| DBC WB26300N      | 300     |                    |         |         |         |               |               |       |      |       |      |       |                      |
| DBC WB36250S      | 250     | -                  | 88,500  | -       | 87,000  | 57.2          | 66.7          | 76.2  | 12.7 | 69    | 78   | 147   | 23.7<br>22.1<br>20.6 |
| DBC WB36300N      | 300     |                    |         |         |         |               |               |       |      |       |      |       |                      |
| DBC WB36350N      | 350     |                    |         |         |         |               |               |       |      |       |      |       |                      |
| DBC WB60300N      | 300     | -                  | 106,000 | -       | 96,000  | 70            | 77            | 90    | 12.7 | 88    | 84   | 172   | 29.7<br>27.8<br>26.4 |
| DBC WB60350N      | 350     |                    |         |         |         |               |               |       |      |       |      |       |                      |
| DBC WB60400N      | 400     |                    |         |         |         |               |               |       |      |       |      |       |                      |
| DBC WB90350N      | 350     | -                  | 166,000 | -       | 151,000 | 85            | 88            | 110   | 16   | 101.5 | 95.5 | 197   | 45.9<br>43.4         |
| DBC WB90400N      | 400     |                    |         |         |         |               |               |       |      |       |      |       |                      |
| DBC WB20400N      | 400     | -                  | 225,000 | -       | 206,000 | 100           | 100           | 130   | 19   | 119.5 | 108  | 227.5 | 63.5                 |

## Wear-Resistant Bucket elevator chain

G-4 Attachment Type



G-4 Double Attachment - plate Type



### G-4 Attachment Type

unit : mm

| Basic Chain No. | pitch<br>P | Dimensions |     |     |      |     |      |    |     |      | Add. Weight per Attachment (at every second Link spacing)<br>(kg/m) |
|-----------------|------------|------------|-----|-----|------|-----|------|----|-----|------|---|
|                 |            | V          | K   | Y   | T    | Q   | A    | O  | 0   |      |   |
| DBC             | WB10150S   | 150        | 110 | 75  | 70   | 6.3 | 28.5 | 26 | 15  | 90°  | 7.0   |
|                 | WB12006S   | 152.4      | 110 | 75  | 70   | 7.9 | 35.5 | 26 | 15  | 90°  | 11.0  |
|                 | WB12200S   | 200        | 120 | 100 | 80   |     |      |    |     |      | 9.9   |
|                 | WB17200S   | 200        | 120 | 100 | 80   | 9.5 | 45.5 | 26 | 15  | 90°  | 13.9  |
|                 | WB17250S   | 250        | 150 | 140 | 100  |     |      | 32 | 19  | 90°  | 14.0  |
|                 | WB26200N   | 200        | 120 | 100 | 80   | 9.5 | 48   | 26 | 15  | 90°  | 18.3  |
|                 | WB26250N   | 250        | 150 | 140 | 100  |     |      | 32 | 19  | 90°  | 17.8  |
| WB36250N        | 250        | 150        | 140 | 100 | 12.7 | 60  | 32   | 19 | 90° | 27.5 |   |

### G-4 Double Attachment - Plate Type

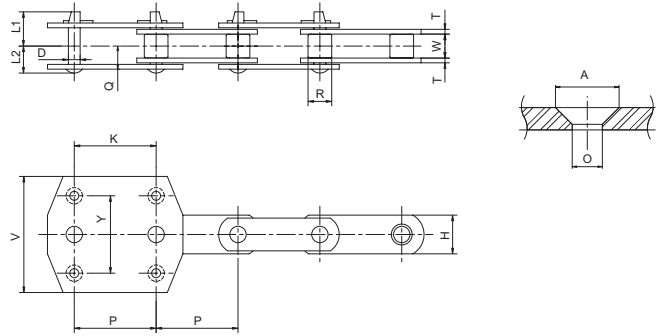
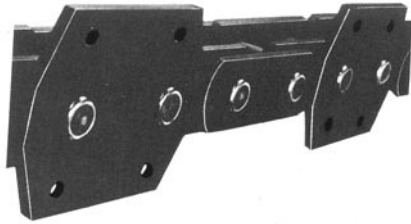
unit : mm

| Basic Chain No. | pitch<br>P | Dimensions |     |     |     |    |       |    |    |     | Add. Weight per Attachment (at every second Link spacing)<br>(kg/m) |
|-----------------|------------|------------|-----|-----|-----|----|-------|----|----|-----|---|
|                 |            | V          | K   | Y   | T   | Q  | A     | O  | 0  |     |   |
| DBC             | WB26300N   | 300        | 200 | 170 | 140 | 12 | 60    | 38 | 24 | 90° | 22.5  |
|                 | WB36300N   | 300        | 200 | 170 | 140 | 12 | 72    | 38 | 24 | 90° | 31.4  |
|                 | WB36350N   | 350        | 240 | 200 | 170 | 12 | 72    | 40 | 28 | 60° | 31.2  |
|                 | WB60300N   | 300        | 200 | 170 | 140 | 12 | 77    | 38 | 24 | 90° | 39.5  |
|                 | WB60350N   | 350        | 240 | 200 | 170 | 12 | 77    | 40 | 28 | 60° | 38.8  |
|                 | WB60400N   | 400        | 280 | 230 | 200 | 16 | 81    | 50 | 35 | 60° | 42.8  |
|                 | WB90350N   | 350        | 240 | 200 | 170 | 12 | 89.5  | 40 | 28 | 60° | 57.8  |
|                 | WB90400N   | 400        | 280 | 230 | 200 | 16 | 93.5  | 50 | 35 | 60° | 60.8  |
|                 | WB20400N   | 400        | 280 | 230 | 200 | 16 | 105.5 | 50 | 35 | 60° | 82.2  |



## Chains for high - Speed Bucket Elevator

This chain is specially designed for high-speed bucket elevator and has excellent, Wear life, Strength and Fatigue strength



unit : mm

| DONG BO CHAIN NO. | pitch P | Roller Dia R | Inner width W | Pin   |                |                | Plate |     | Attachment Dimensions |      |      |      |      |    | Arg. Breaking load (kgf) | Weight (kg/m) |                 |
|-------------------|---------|--------------|---------------|-------|----------------|----------------|-------|-----|-----------------------|------|------|------|------|----|--------------------------|---------------|-----------------|
|                   |         |              |               | D     | L <sub>1</sub> | L <sub>2</sub> | T     | H   | V                     | K    | Y    | Q    | A    | O  |                          | non attached  | with attachment |
| DBC HB23100       | 100     | 44.5         | 51.8          | 19.05 | 59.8           | 51.7           | 9     | 50  | 150                   | 100  | 105  | 45.5 | 33   | 18 | 23,000                   | 17.5          | 20.4            |
| DBC HB32100       | 100     | 50.8         | 57.6          | 22.2  | 62.8           | 55.7           | 9     | 65  | 150                   | 100  | 105  | 48.5 | 33   | 18 | 32,000                   | 24.7          | 27.3            |
| DBC HB33100       | 100     | 44.5         | 51.8          | 22.2  | 60.2           | 53.8           | 9     | 57  | 150                   | 100  | 105  | 45.5 | 33   | 18 | 33,000                   | 19.0          | 21.7            |
| DBC HB50100       | 100     | 50.8         | 57.6          | 25.4  | 64.2           | 57.3           | 9     | 75  | 150                   | 100  | 150  | 48.5 | 33   | 18 | 50,000                   | 26.2          | 28.6            |
| DBC HB50125       | 125     |              |               | 180   |                |                |       | 125 | 130                   | 23.0 | 26.1 |      |      |    |                          |               |                 |
| DBC HB75125       | 125     | 63.5         | 67.4          | 31.8  | 78.0           | 70.0           | 12    | 90  | 180                   | 125  | 130  | 60   | 33   | 18 | 75,000                   | 41.9          | 46.1            |
| DBC HB75150       | 150     |              |               |       |                |                |       | 220 | 150                   | 170  | 37.6 |      |      |    |                          | 42.7          |                 |
| DBC HB75175       | 175     |              |               |       |                |                |       | 230 | 175                   | 180  | 34.5 |      |      |    |                          | 39.7          |                 |
| DBC HB100125      | 125     | 70           | 75            | 35    | 90.8           | 83.2           | 16    | 100 | 180                   | 125  | 130  | 72   | 39   | 22 | 100,000                  | 63.3          | 68.1            |
| DBC HB100150      | 150     |              |               |       |                |                |       | 230 | 150                   | 170  | 56.7 |      |      |    |                          | 63.9          |                 |
| DBC HB100175      | 175     |              |               |       |                |                |       | 240 | 175                   | 180  | 52.0 |      |      |    |                          | 59.3          |                 |
| DBC HB120125      | 125     | 75           | 82.5          | 38.5  | 95.5           | 88.0           | 16    | 115 | 200                   | 125  | 150  | 76   | 39   | 22 | 120,000                  | 74.6          | 79.8            |
| DBC HB120150      | 150     |              |               |       |                |                |       | 230 | 150                   | 170  | 68.3 |      |      |    |                          | 75.1          |                 |
| DBC HB120175      | 175     |              |               |       |                |                |       | 240 | 175                   | 180  | 62.5 |      |      |    |                          | 69.4          |                 |
| DBC HB140150      | 150     | 82           | 85            | 41.75 | 99.3           | 90.2           | 16    | 125 | 230                   | 150  | 170  | 77   | 39   | 22 | 140,000                  | 81.3          | 87.8            |
| DBC HB140175      | 175     |              |               |       |                |                |       | 250 | 175                   | 180  | 74.0 |      |      |    |                          | 81.1          |                 |
| DBC HB160175      | 175     | 86           | 92.5          | 44.5  | 110.3          | 101.2          | 19    | 130 | 250                   | 175  | 180  | 87   | 42.2 | 26 | 160,000                  | 91.6          | 99.9            |
| DBC HB200175      | 175     | 97           | 95            | 50.8  | 114.0          | 103.5          | 19    | 150 | 260                   | 175  | 195  | 88.5 | 42.2 | 26 | 200,000                  | 119.3         | 134.2           |

