



Average Breaking Load

평균 파단 강도

unit:mm

| DONG BO CHAIN No. | Standard Series | Heavy Series | Stainless Steel 400 Series | | Stainless 300 Series | Heavy & Extra | Wear Resistant | Special type |
|--|-----------------|--------------|----------------------------|--------------|----------------------|---------------|------------------------|--------------|
| | 보통형 | 강력형 | 스테인레스 400시리즈 | 스테인레스 400시리즈 | 스테인레스 300시리즈 | 강력·내마모시리즈 | 내마모시리즈 | 응용시리즈 |
| | N | H | SB | SBN | SA | CH | CN, CB | WA, WB |
| DBC 03075 DBC 03100 DBC 03150 | 3,000 | 7,100 | 3,500 | 5,500 | 3,400 | 5,200 | 3,800 | 7,100 |
| DBC 430 | 5,500 | 10,000 | 5,300 | 8,500 | 4,900 | 7,100 | 5,800 | 10,000 |
| DBC 05075 DBC 05100 DBC 05150 | 7,000 | 14,500 | 7,200 | 11,000 | 7,000 | 10,000 | 7,900 | 14,500 |
| DBC 204 | 8,000 | 14,500 | 8,000 | 12,500 | 7,000 | 10,000 | 8,800 | 14,500 |
| DBC 450 | 8,000 | 14,500 | 8,000 | 12,500 | 7,000 | 10,000 | 8,800 | 14,500 |
| DBC 08125 DBC 08150 | 8,000 | 14,500 | 8,000 | 12,500 | 7,000 | 10,000 | 8,800 | 14,500 |
| DBC 650 | 8,000 | 14,500 | 14,000 | 14,500 | 7,000 | 10,000 | 14,500 (CN, 10,000) | 14,500 |
| DBC 10100 DBC 10125 DBC 10150 | 11,500 | 23,000 | 11,500 | 18,000 | 11,000 | 23,000 | 12,500 | 23,000 |
| DBC 214 | 13,000 | 24,500 | 12,000 | 19,000 | 12,500 | 24,500 | 13,000 | 24,500 |
| DBC 205 | 13,000 | 24,500 | 12,000 | 19,000 | 12,500 | 24,500 | 13,000 | 24,500 |
| DBC 6205 | 19,000 | 28,500 | 17,000 | 27,000 | 13,500 | 28,500 | 19,000 | 28,500 |
| DBC 12200 DBC 12250 | 19,000 | 28,500 | 17,000 | 27,000 | 13,500 | 28,500 | 19,000 | 28,500 |
| DBC 17200 DBC 17250 DBC 17300 | 25,000 | 39,500 | 22,500 | 36,500 | 19,000 | 39,500 | 25,000 | 39,500 |
| DBC 212 | 21,000 | 39,500 | 22,500 | 36,500 | 19,000 | 39,500 | 21,000 | 39,500 |
| DBC 26200 DBC 26250 DBC 26300 DBC 26450 | 32,000 | 53,000 | 30,000 | 47,000 | 25,500 | 53,000 | 32,000 | 53,000 |
| DBC 36250 DBC 36300 DBC 36450 DBC 36600 | 48,500 | 69,500 | - | - | - | 69,500 | 48,500 | 69,500 |
| DBC 52300 DBC 52450 DBC 52600 | 54,000 | 105,000 | - | - | - | 105,000 | 54,000 | 105,000 |
| DBC 60300 DBC 60350 DBC 60400 | 62,000 | 106,000 | - | - | - | 106,000 | 62,000 | 106,000 |
| DBC 90350 DBC 90400 DBC 90500 | 95,000 | 166,000 | - | - | - | 166,000 | 95,000 | 166,000 |
| DBC 120400 DBC 120600 | 113,000 | 225,000 | - | - | - | 225,000 | 113,000 | 225,000 |

주) DBC 26~시리즈와 DBC 36~ 시리즈의 보통형(N형)은 '버킷엘리베이터용 체인' 페이지를 참조하십시오.
 Note) Please refer to the Bucket Elevator Chain page for DBC26~ and DBC36~ Series(N-type)



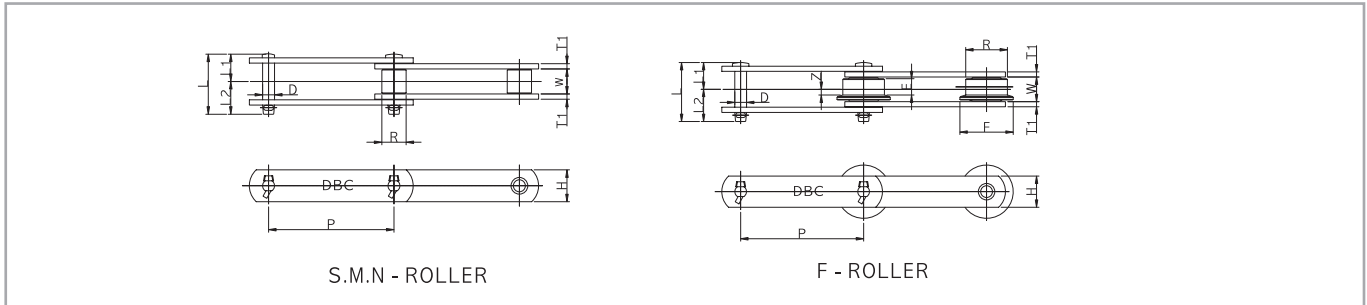
Comparative Table of Standard Conveyor Chain

표준형 컨베이어 체인번호 비교표

| DONG BO CHAIN No. | | HITACHI | TSUBAKI | DAIDO |
|-------------------|--------------|----------|----------|---------|
| DBC | 430 | HR 10105 | RF 430 | DK 4008 |
| DBC | 204 | HR 66081 | RF 204 | DK 4004 |
| DBC | 450 | HR 10108 | RF 450 | DK 4009 |
| DBC | 650 | HR 15208 | RF 650 | DK 4018 |
| DBC | 10100 | HR 10011 | RF 10100 | - |
| DBC | 10125 | HR 12511 | RF 10125 | - |
| DBC | 10150 | HR 15211 | RF 10150 | DK 3019 |
| DBC | 214 | HR 10113 | RF 214 | DK 4012 |
| DBC | 6205 | HR 15215 | RF 6205 | DK 4022 |
| DBC | 12200 | HR 20015 | RF 12200 | DK 3081 |
| DBC | 12250 | HR 25015 | RF 12250 | DK 3082 |
| DBC | 212 | HR 15219 | RF 212 | DK 4020 |
| DBC | 17200 | HR 20019 | RF 17200 | DK 3085 |
| DBC | 17250 | HR 25019 | RF 17250 | DK 3086 |
| DBC | 17300 | HR 30019 | RF 17300 | DK 3087 |
| DBC | 26200 | HR 20026 | RF 26200 | - |
| DBC | 26250 | HR 25026 | RF 26250 | DK 3091 |
| DBC | 26300 | HR 30026 | RF 26300 | DK 3092 |
| DBC | 26450 | HR 45026 | RF 26450 | - |
| DBC | 36250 | HR 25048 | RF 36250 | - |
| DBC | 36300 | HR 30048 | RF 36300 | DK 3096 |
| DBC | 36450 | HR 45048 | RF 36450 | DK 3097 |
| DBC | 36600 | HR 60048 | RF 36600 | - |
| DBC | 52300 | HR 30054 | RF 52300 | - |
| DBC | 52450 | HR 45054 | RF 52450 | - |
| DBC | 52600 | HR 60054 | RF 52600 | - |

Standard Conveyor Chain

표준형 컨베이어 체인 I



Chain Dimensions

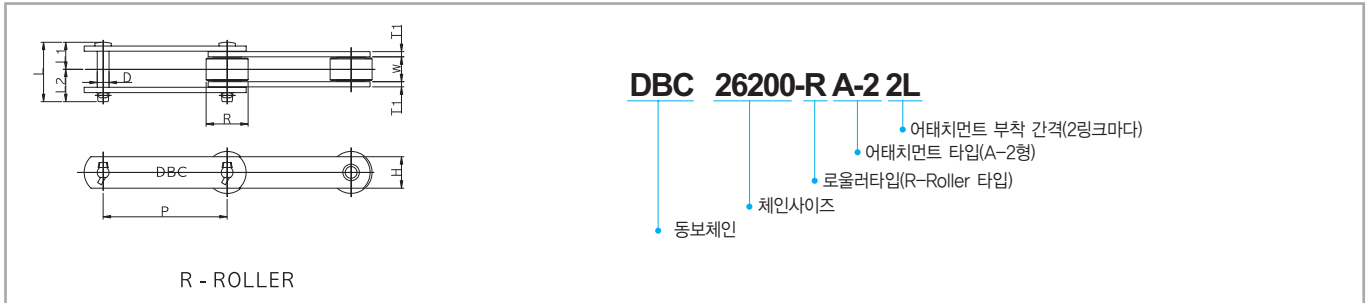
unit : mm

| DONG BO Chain No. | | Pitch | Inner width | Plate | | Pin | | | | Avg. breaking Load kgt | |
|--|--|--------------------------|-------------|-----------|------|-------|------|------|-------|---------------------------|--------------|
| Basic Chain No. | Roller Type | P | W | T | H | D | L1 | L2 | L | Standard Serie | Heavy Series |
| DBC 03075 03100 03150 | R · F · S | 75 100 150 | 16.1 | 3.2 | 22 | 7.9 | 17.5 | 19.5 | 37 | 3,000 | 7,100 |
| DBC 430 | R · S | 101.6 | 22.6 | 4.8(5.0) | 25.4 | 9.7 | 25.5 | 29.5 | 55 | 5,500 | 10,000 |
| DBC 05075 05100 05150 | S R · F · S R · F · S | 75 100 150 | 22 | 4.5 | 32 | 11.1 | 24.6 | 29.6 | 54.2 | 7,000 | 14,500 |
| DBC 204 | S | 66.27 | 27 | 6.3(6.0) | 28.6 | 11.1 | 30.7 | 35.6 | 66.3 | 8,000 | 14,500 |
| DBC 450 | R · F · S · M | 101.6 | 27 | 6.3(6.0) | 28.6 | 11.1 | 30.7 | 35.6 | 66.3 | 8,000 | 14,500 |
| DBC 08125 08125 | R · F · S · M | 125 150 | 27 | 6.3(6.0) | 28.6 | 11.1 | 30.7 | 35.6 | 66.3 | 8,000 | 14,500 |
| DBC 650 | R · F · S · M | 152.4 | 30.2 | 6.3(6.0) | 38.1 | 11.1 | 32.3 | 37.3 | 69.6 | 8,000 | 14,500 |
| DBC 10100 10125 10150 | R · S · M R · F · S · M R · F · S · M | 100 125 150 | 30 | 6.3(6.0) | 38.1 | 14.3 | 32.7 | 39.2 | 71.9 | 11,500 | 23,000 |
| DBC 214 | R · S · M | 101.6 | 31.6 | 7.9 | 38.1 | 15.9 | 37.2 | 43.7 | 80.9 | 13,000 | 24,500 |
| DBC 205 | S | 78.11 | 37.1 | 7.9 | 38.1 | 15.9 | 40 | 46.4 | 86.4 | 13,000 | 24,500 |
| DBC 6205 | R · F · S · M | 152.4 | 37.1 | 7.9 | 44.5 | 15.9 | 40 | 46.4 | 86.4 | 19,000 | 28,500 |
| DBC 12200 12250 | R · F · S · M | 200 250 | 37.1 | 7.9 | 44.5 | 15.9 | 40 | 46.4 | 86.4 | 19,000 | 28,500 |
| DBC 17200 17250 17300 | R · F · S · M | 200 250 300 | 51.4 | 9.5(10.0) | 50.8 | 19.05 | 51.5 | 60 | 111.5 | 25,000 | 39,500 |
| DBC 212 | R · S · M | 152.4 | 37.1 | 9.5(10.0) | 50.8 | 19.05 | 44.2 | 57.7 | 96.9 | 21,000 | 39,500 |
| DBC 26200 26250 26300 26450 | S · M R · F · S · M R · F · S · M R · F · S · M | 200 250 300 450 | 57.2 | 9.5(10.0) | 63.5 | 22.2 | 55.2 | 62.7 | 117.9 | 32,000 | 53,000 |
| DBC 36250 36300 36450 36600 | S · M R · F · S · M R · F · S · M R · F · S · M | 250 300 450 600 | 66.7 | 12.7 | 76.2 | 25.4 | 68 | 76 | 144 | 48,500 | 69,500 |
| DBC 52300 52450 52600 | R · F · S | 300 450 600 | 77 | 16 | 76.2 | 31.8 | 81.5 | 91.5 | 173 | 54,000 | 105,000 |
| DBC 60300 60350 60400 | R · F · N | 300 350 400 | 77 | 12.7 | 90 | 35 | 77 | 84 | 161 | 62,000 | 106,000 |
| DBC 90350 90400 90500 | N R · F · N R · F · N | 350 400 500 | 88 | 16 | 110 | 42.0 | 90 | 100 | 190 | 95,000 | 166,000 |
| DBC 120400 120600 | R · N R · F · N | 400 600 | 100 | 19 | 130 | 50.0 | 106 | 113 | 219 | 113,000 | 225,000 |

주) 스테인레스 시리즈는 26000까지이며 링크플레이트 두께의 ()내 치수는 스테인레스 300시리즈를 표시한 것이며 ()는 쇼시리즈 공통입니다.
 Note) The Stainless steel Series are up to 26000. Numbers in brackets of the Link Plate thickness indicates the Stainless steel 300 Series.
 The Number outside brackets is common for every series.

Standard Conveyor Chain

표준형 컨베이어 체인



Roller Dimensions

unit : mm

| DONG BO Chain No. | | Roller Dimensions | | | | | | | | | | | | | | Weight of Rollers(kg/m) | | | |
|--|--|-------------------|------|----------|-----|----|------|------|----------|------|----------|------|----------|----|---------|-------------------------|-------|---------|--|
| Basic Chain No. | Roller Type | R-Roller | | F-Roller | | | | | S-Roller | | M-Roller | | N-Roller | | R-R/o * | F-R/o | S-R/o | M,N-R/o | |
| | | R | E | R | F | E | e | Z | R | E | R | E | R | E | | | | | |
| DBC 03075 03100 03150 | R · F · S | 31.8 | 15.5 | 31.8 | 42 | 12 | 1.8 | 4.3 | 15.9 | 15.5 | - | - | - | - | 2.7 | 2.8 | 1.9 | - | |
| DBC 430 | R · S | 38.1 | 19 | - | - | - | - | - | 20.1 | 19 | - | - | - | - | 4.3 | - | 3.0 | - | |
| DBC 05075 05100 05150 | S R · F · S R · F · S | 40 | 19 | 40 | 50 | 14 | 2.5 | 4.5 | 22.2 | 19 | - | - | - | - | 5.0 | 5.2 | 4.2 | - | |
| DBC 204 | S | - | - | - | - | - | - | - | 22.2 | 23 | 25.4 | 23 | - | - | - | - | 5.6 | - | |
| DBC 450 | R · F · S · M | 44.5 | 23 | 44.5 | 55 | 18 | 2.5 | 6.5 | 22.2 | 23 | 25.4 | 23 | - | - | 6.8 | 7.5 | 4.6 | 4.8 | |
| DBC 08125 08125 | R · F · S · M | 44.5 | 23 | 44.5 | 55 | 18 | 2.5 | 6.5 | 22.2 | 23 | 25.4 | 23 | - | - | 6.1 | 6.3 | 4.3 | 4.5 | |
| DBC 650 | R · F · S · M | 50.8 | 26 | 50.8 | 65 | 20 | 3 | 7 | 25.4 | 26 | 31.8 | 26 | - | - | 7.7 | 8.0 | 6.0 | 6.4 | |
| DBC 10100 10125 10150 | R · S · M R · F · S · M R · F · S · M | 50.8 | 27 | 50.8 | 65 | 20 | 3 | 7 | 29 | 27 | 31.8 | 27 | - | - | 9.8 | 8.7 | 6.8 | 7.1 | |
| DBC 214 | R · S · M | 44.5 | 27 | - | - | - | - | - | 31.8 | 27 | 34.9 | 27 | - | - | 10.4 | - | 8.7 | 9.1 | |
| DBC 205 | S | - | - | - | - | - | - | - | 31.8 | 27 | - | - | - | - | 12.1 | 12.4 | 9.3 | 9.6 | |
| DBC 6205 | R · F · S · M | 57.2 | 32 | 57.2 | 70 | 25 | 3.5 | 9 | 34.9 | 32 | 38.1 | 32 | - | - | 12.1 | 12.4 | 9.3 | 9.6 | |
| DBC 12200 12250 | R · F · S · M | 65 | 32 | 65 | 80 | 24 | 4 | 8 | 34.9 | 32 | 38.1 | 32 | - | - | 11.4 | 11.9 | 8.4 | 8.7 | |
| DBC 17200 17250 17300 | R · F · S · M | 80 | 44 | 80 | 100 | 34 | 5 | 12 | 40.1 | 44 | 44.4 | 44 | - | - | 18.8 | 19.8 | 12.0 | 12.6 | |
| DBC 212 | R · S · M | 69.9 | 32.5 | - | - | - | - | - | 40.1 | 32.5 | 44.4 | 32.5 | - | - | 17.1 | - | 12.6 | 13.1 | |
| DBC 26200 26250 26300 26450 | S · M R · F · S · M R · F · S · M R · F · S · M | 100 | 50 | 100 | 125 | 38 | 6 | 13 | 44.5 | 50 | 50.8 | 50 | - | - | - | - | 16.0 | 17.0 | |
| DBC 36250 36300 36450 36600 | S · M R · F · S · M R · F · S · M R · F · S · M | 125 | 56 | 125 | 150 | 42 | 7 | 14 | 50.8 | 56 | 57.2 | 56 | 57.2 | 65 | 25.3 | 26.2 | 14.7 | 15.5 | |
| DBC 52300 52450 52600 | R · F · S | 140 | 65 | 140 | 170 | 49 | 8 | 16.5 | 57.2 | 65 | - | 65 | - | - | 22.3 | 23.6 | 13.8 | 14.5 | |
| DBC 60300 60350 60400 | R · F · N | 140 | 68 | 140 | 170 | 49 | 8 | 16.5 | - | - | - | 68 | 70 | 75 | 18.0 | 18.9 | 12.4 | 12.9 | |
| DBC 90350 90400 90500 | N R · F · N R · F · N | 170 | 76 | 170 | 205 | 56 | 10 | 18 | - | - | - | 76 | 85 | 86 | 39.0 | 40.1 | 24.4 | 25.5 | |
| DBC 120400 120600 | R · N R · F · N | 200 | 87 | 200 | 240 | 64 | 11.5 | 20.5 | - | - | - | 87- | 100 | 97 | 30.7 | 31.9 | 20.2 | 20.8 | |
| | | | | | | | | | | | | | | | 26.9 | 27.8 | 18.0 | 19.5 | |
| | | | | | | | | | | | | | | | 48.8 | 52.5 | 29.7 | - | |
| | | | | | | | | | | | | | | | 37.5 | 39.3 | 26.2 | - | |
| | | | | | | | | | | | | | | | 32.9 | 34.3 | 24.4 | - | |
| | | | | | | | | | | | | | | | 52.4 | 55.1 | - | 31.0 | |
| | | | | | | | | | | | | | | | 47.2 | 49.5 | - | 28.8 | |
| | | | | | | | | | | | | | | | 43.8 | 45.8 | - | 27.7 | |
| | | | | | | | | | | | | | | | 66.9 | 71.6 | - | 42.4 | |
| | | | | | | | | | | | | | | | 59.0 | 62.8 | - | 40.8 | |
| | | | | | | | | | | | | | | | - | - | - | 38.1 | |
| | | | | | | | | | | | | | | | 105.7 | - | - | 63.9 | |
| | | | | | | | | | | | | | | | 83.3 | 88.0 | - | 55.4 | |

* R/o=Roller

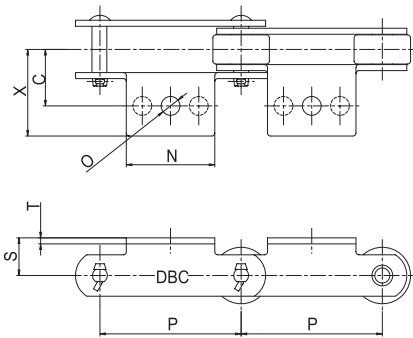


Attachments for Standard Conveyor Chains

표준형 컨베이어 체인의 어태치먼트

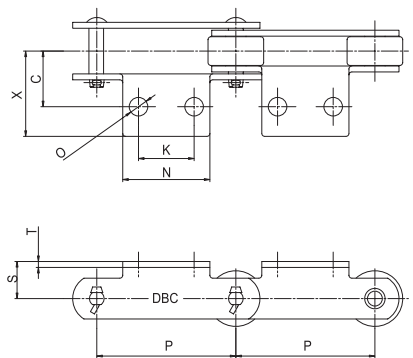
unit : mm

A-1 Attachment



| DONG BO Chain No. | | Pitch P | Dimensions | | | | | | add. Weight per Att.* (kg) | |
|-------------------|-------------|------------|------------|----|----|-----|----|-----------|-------------------------------------|------|
| Basic Chain No. | Roller Type | | S | C | X | N | T | O | | |
| DBC 03075 | R·F·S | 75 | | | | | | | 0.05 | |
| DBC 03100 | R·F·S | 100 | 20 | 30 | 46 | 55 | 65 | 3.2 | 10 | 0.06 |
| DBC 430 | R·S | 101.6 | 22 | 40 | 54 | 70 | | 4.8(5.0) | 12 | 0.11 |
| DBC 05075 | S | 75 | | | | 55 | | | | 0.03 |
| DBC 05100 | R·F·S | 100 | 22 | 35 | 47 | 65 | | 4.5 | 10 | 0.08 |
| DBC 05150 | R·F·S | 150 | | | | 85 | | | | 0.10 |
| DBC 204 | S | 66.27 | 24 | 45 | 59 | 35 | | 6.3(6.0) | 12 | 0.08 |
| DBC 450 | R·F·S·M | 101.6 | 28 | 50 | 64 | 70 | | 6.3(6.0) | 12 | 0.18 |
| DBC 08150 | R·F·S·M | 150 | 28 | 50 | 64 | 90 | | 6.3(6.0) | 12 | 0.22 |
| DBC 650 | R·F·S·M | 152.4 | 32 | 50 | 64 | 90 | | 6.3(6.0) | 12 | 0.22 |
| DBC 10100 | R·F·S·M | 100 | 28 | 50 | 65 | 70 | | 6.3(6.0) | 12 | 0.16 |
| DBC 10150 | R·F·S·M | 150 | | | | 90 | | | | 0.20 |
| DBC 214 | R·S·M | 101.6 | 35 | 55 | 73 | 80 | | 7.9 | 15 | 0.28 |
| DBC 6205 | R·F·S·M | 152.4 | 38 | 60 | 79 | 100 | | 7.9 | 15 | 0.37 |
| DBC 12200 | R·F·S·M | 200 | 38 | 60 | 79 | 120 | | 7.9 | 15 | 0.45 |
| DBC 12250 | R·F·S·M | 250 | | | | 165 | | | | 0.62 |
| DBC 212 | R·S·M | 152.4 | 45 | 65 | 83 | 100 | | 9.5(10.0) | 15 | 0.49 |
| DBC 17200 | R·F·S·M | 200 | 45 | 75 | 98 | 120 | | 9.5(10.0) | 15 | 0.66 |
| DBC 17250 | R·F·S·M | 250 | | | | 165 | | | | 0.79 |

A-2 Attachment



unit : mm

| DONG BO Chain No. | | Pitch P | Dimensions | | | | | | | add. Weight per Att.* (kg) | |
|-------------------|-------------|------------|------------|----|-----|-----|-----|----|-----------|-------------------------------------|------|
| Basic Chain No. | Roller Type | | S | C | X | N | K | T | O | | |
| DBC 03075 | R·F·S | 75 | | | | | | | | 0.05 | |
| DBC 03100 | R·F·S | 100 | 20 | 30 | 46 | 55 | 30 | 40 | 3.2 | 10 | 0.06 |
| DBC 430 | R·S | 101.6 | 22 | 40 | 54 | 70 | 40 | | 4.8(5.0) | 12 | 0.11 |
| DBC 05075 | S | 75 | | | | 55 | 30 | | | | 0.07 |
| DBC 05100 | R·F·S | 100 | 22 | 35 | 47 | 65 | 40 | | 4.5 | 10 | 0.08 |
| DBC 05150 | R·F·S | 150 | | | | 85 | 60 | | | | 0.10 |
| DBC 204 | S | 66.27 | 24 | 45 | 59 | 55 | 35 | | 6.3(6.0) | 12 | 0.13 |
| DBC 450 | R·F·S·M | 101.6 | 28 | 50 | 64 | 70 | 40 | | 6.3(6.0) | 12 | 0.18 |
| DBC 08150 | R·F·S·M | 150 | 28 | 50 | 64 | 90 | 60 | | 6.3(6.0) | 12 | 0.22 |
| DBC 650 | R·F·S·M | 152.4 | 32 | 50 | 64 | 90 | 60 | | 6.3(6.0) | 12 | 0.22 |
| DBC 10100 | R·S·M | 100 | 28 | 50 | 65 | 70 | 40 | | 6.3(6.0) | 12 | 0.16 |
| DBC 10150 | R·F·S·M | 150 | | | | 90 | 60 | | | | 0.20 |
| DBC 214 | R·S·M | 101.6 | 35 | 55 | 73 | 80 | 40 | | 7.9 | 15 | 0.28 |
| DBC 205 | S | 78.11 | 35 | 60 | 75 | 65 | 30 | | 7.9 | 12 | 0.23 |
| DBC 6205 | R·F·S·M | 152.4 | 38 | 60 | 79 | 100 | 60 | | 7.9 | 15 | 0.37 |
| DBC 12200 | R·F·S·M | 200 | 38 | 60 | 79 | 120 | 80 | | 7.9 | 15 | 0.45 |
| DBC 12250 | R·F·S·M | 250 | | | | 165 | 125 | | | | 0.62 |
| DBC 212 | R·S·M | 152.4 | 45 | 65 | 83 | 100 | 60 | | 9.5(10.0) | 15 | 0.49 |
| DBC 17200 | R·F·S·M | 200 | 45 | 75 | 98 | 120 | 80 | | 9.5(10.0) | 15 | 0.66 |
| DBC 17250 | R·F·S·M | 250 | | | | 165 | 125 | | | | 0.79 |
| DBC 26200 | S·M | 200 | 55 | 80 | 108 | 120 | 80 | | 9.5(10.0) | 15 | 0.78 |
| DBC 26250 | R·F·S·M | 250 | 55 | 80 | 108 | 165 | 125 | | 9.5(10.0) | 15 | 1.07 |

- 주)
1. 링크플레이트 ()는 스테인레스 300시리즈임.
 2. X 치수는 개략치이며, 측면사용 혹은 간섭발생 조건일 경우에는 문의하여 주십시오.

- Note)
1. Numbers in brackets of the Link Plate indicates the Stainless steel 300 Series.
 2. X figures are approximations. Please inquire for lateral usages and in case under the conditions of interference generation.

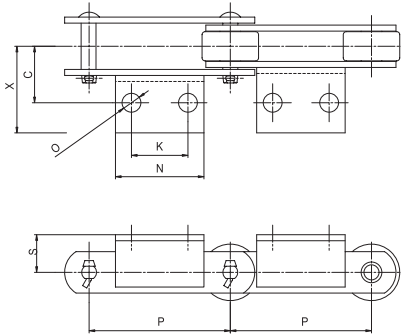
* Att.=Attachment

Attachments for Standard Conveyor Chains

표준형 컨베이어 체인의 어태치먼트

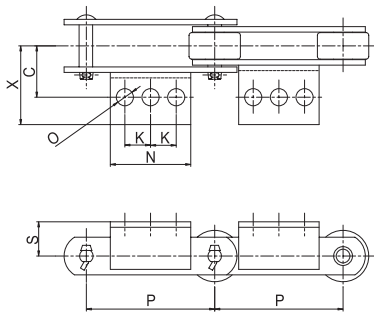
unit : mm

A-2 Attachment (Welded Type : 용접형)



| DONG BO Chain No. | | Pitch P | Dimensions | | | | | | | Compatible Angle * | add. Weight per Att.* (kg) |
|--|-------------------------------|-------------------|------------|-----|-------|-------------------|-------------------|----|-------------|-----------------------|-------------------------------------|
| Basic Chain No. | Roller Type | | S | C | X | N | K | O | | | |
| DBC 17300 | R·F·S·M | 300 | 45 | 75 | 110.5 | 220 | 180 | 15 | L65×65×6 | 1.34 | |
| DBC 26300 26450 | R·F·S·M R·F·S·M | 300 450 | 55 | 80 | 123.5 | 220 320 | 180 280 | 15 | L75×75×9 | 2.22 3.26 | |
| DBC 36300 36450 36600 | R·F·S·M R·F·S·M R·F·S·M | 300 450 600 | 70 | 100 | 160 | 160 330 410 | 100 280 360 | 19 | L100×100×10 | 2.50 5.07 6.26 | |
| DBC 52300 52450 52600 | R·F·S R·F·S R·F·S | 300 450 600 | 80 | 120 | 171.4 | 160 330 410 | 100 280 360 | 24 | L100×100×13 | 3.10 6.30 7.80 | |
| DBC 60300 60350 60400 | R·F·N R·F·N R·F·N | 300 350 400 | 90 | 115 | 165 | 170 220 260 | 110 160 200 | 24 | L100×100×13 | 3.30 4.20 6.00 | |
| DBC 90350 90400 90500 | N R·F·N R·F·N | 350 400 500 | 100 | 140 | 210 | 180 230 340 | 100 150 260 | 28 | L130×130×15 | 5.20 6.60 9.80 | |
| DBC 120400 120600 | R·N R·F·N | 400 600 | 120 | 150 | 220 | 200 400 | 120 320 | 28 | L130×130×15 | 5.80 11.50 | |

A-3 Attachment (Welded Type : 용접형)



unit : mm

| DONG BO Chain No. | | Pitch P | Dimensions | | | | | | | Compatible Angle * | add. Weight per Att.* (kg) |
|----------------------------------|--------------------|------------|------------|-----|-------|------------|------------|----|-------------|-----------------------|-------------------------------------|
| Basic Chain No. | Roller Type | | S | C | X | N | K | O | | | |
| DBC 17300 | R·F·S·M | 300 | 45 | 75 | 110.5 | 220 | 180 | 15 | L65×65×6 | 1.34 | |
| DBC 26450 | R·F·S·M | 450 | 55 | 80 | 123.5 | 320 | 140 | 15 | L75×75×9 | 3.26 | |
| DBC 36450 36600 | R·F·S·M R·F·S·M | 450 600 | 70 | 100 | 160 | 330 410 | 140 180 | 19 | L100×100×10 | 5.07 6.26 | |
| DBC 52450 52600 | R·F R·F | 450 600 | 80 | 120 | 171.4 | 330 410 | 140 180 | 24 | L100×100×13 | 6.30 7.80 | |
| DBC 60350 60400 | R·F·N R·F·N | 350 400 | 90 | 115 | 165 | 220 260 | 80 100 | 24 | L100×100×13 | 4.20 6.00 | |
| DBC 90500 | R·F·N | 500 | 100 | 140 | 210 | 340 | 130 | 28 | L130×130×15 | 9.80 | |
| DBC 12060 | R·F·N | 600 | 220 | 150 | 220 | 400 | 160 | 28 | L130×130×15 | 11.50 | |

* Compatible Angle=사용앵글
* Att.=Attachment

주)

1. 스테인레스 시리즈는 사용앵글치수가 다르므로 문의하여 주십시오.
2. X 치수는 개략치이며, 측면사용 혹은 간섭발생 조건일 경우에는 문의하여 주십시오.

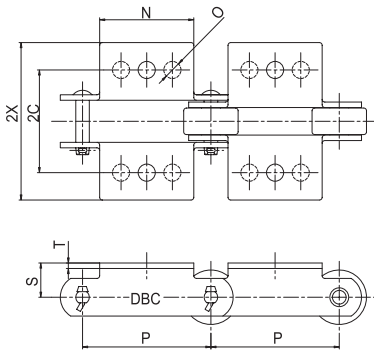
Note)

1. The Stainless steel Series uses different angle figures. Please inquire.
2. X figures are approximations. Please inquire for lateral usages and in case under the conditions of interference generation.

Attachments for Standard Conveyor Chains

표준형 컨베이어 체인의 어태치먼트

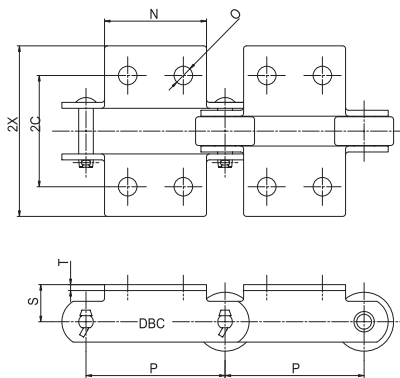
K-1 Attachment



unit : mm

| DONG BO Chain No. | | Pitch P | Dimensions | | | | | | add. Weight per Att.* (kg) |
|-------------------|-------------|------------|------------|-----|-----|-----|-----------|----|-------------------------------------|
| Basic Chain No. | Roller Type | | S | C | X | N | T | O | |
| DBC 03075 | R·F·S | 75 | 20 | 60 | 92 | 55 | 3.2 | 10 | 0.10 |
| 03100 | R·F·S | 100 | 20 | 60 | 92 | 65 | 3.2 | 10 | 0.12 |
| DBC 430 | R·S | 101.6 | 22 | 80 | 108 | 70 | 4.8(5.0) | 12 | 0.22 |
| 05075 | S | 75 | 22 | 70 | 94 | 55 | 4.5 | 10 | 0.06 |
| 05100 | R·F·S | 100 | 22 | 70 | 94 | 65 | 4.5 | 10 | 0.16 |
| 05150 | R·F·S | 150 | 22 | 70 | 94 | 85 | 4.5 | 10 | 0.20 |
| DBC 204 | S | 66.27 | 24 | 90 | 118 | 35 | 6.3(6.0) | 12 | 0.16 |
| DBC 450 | R·F·S·M | 101.6 | 28 | 100 | 128 | 70 | 6.3(6.0) | 12 | 0.36 |
| DBC 08150 | R·F·S·M | 150 | 28 | 100 | 128 | 90 | 6.3(6.0) | 12 | 0.44 |
| DBC 650 | R·F·S·M | 152.4 | 32 | 100 | 128 | 90 | 6.3(6.0) | 12 | 0.44 |
| DBC 10100 | R·S·M | 100 | 28 | 100 | 130 | 70 | 6.3(6.0) | 12 | 0.32 |
| 10150 | R·F·S·M | 150 | 28 | 100 | 130 | 90 | 6.3(6.0) | 12 | 0.40 |
| DBC 214 | R·S·M | 101.6 | 35 | 110 | 146 | 80 | 7.9 | 15 | 0.56 |
| DBC 6205 | R·F·S·M | 152.4 | 38 | 120 | 158 | 100 | 7.9 | 15 | 0.74 |
| DBC 12200 | R·F·S·M | 200 | 38 | 120 | 158 | 120 | 7.9 | 15 | 0.90 |
| 12250 | R·F·S·M | 250 | 38 | 120 | 158 | 165 | 7.9 | 15 | 1.24 |
| DBC 212 | R·S·M | 152.4 | 45 | 130 | 166 | 100 | 9.5(10.0) | 15 | 0.98 |
| DBC 17200 | R·F·S·M | 200 | 45 | 150 | 196 | 120 | 9.5(10.0) | 15 | 1.32 |
| 17250 | R·F·S·M | 250 | 45 | 150 | 196 | 165 | 9.5(10.0) | 15 | 1.58 |

K-2 Attachment



unit : mm

| DONG BO Chain No. | | Pitch P | Dimensions | | | | | | add. Weight per Att.* (kg) | |
|-------------------|-------------|------------|------------|-----|-----|-----|-----|-----------|-------------------------------------|------|
| Basic Chain No. | Roller Type | | S | 2C | 2X | N | K | T | | O |
| DBC 03075 | R·F·S | 75 | 20 | 60 | 92 | 55 | 30 | 3.2 | 10 | 0.10 |
| 03100 | R·F·S | 100 | 20 | 60 | 92 | 65 | 40 | 3.2 | 10 | 0.12 |
| DBC 430 | R·S | 101.6 | 22 | 80 | 108 | 70 | 40 | 4.8(5.0) | 12 | 0.22 |
| 05075 | S | 75 | 22 | 70 | 94 | 55 | 30 | 4.5 | 10 | 0.14 |
| 05100 | R·F·S | 100 | 22 | 70 | 94 | 65 | 40 | 4.5 | 10 | 0.16 |
| 05150 | R·F·S | 150 | 22 | 70 | 94 | 85 | 60 | 4.5 | 10 | 0.20 |
| DBC 204 | S | 66.27 | 24 | 90 | 118 | 55 | 35 | 6.3(6.0) | 12 | 0.26 |
| DBC 450 | R·F·S·M | 101.6 | 28 | 100 | 128 | 70 | 40 | 6.3(6.0) | 12 | 0.36 |
| DBC 08150 | R·F·S·M | 150 | 28 | 100 | 128 | 90 | 60 | 6.3(6.0) | 12 | 0.44 |
| DBC 650 | R·F·S·M | 152.4 | 32 | 100 | 128 | 90 | 60 | 6.3(6.0) | 12 | 0.44 |
| DBC 10100 | R·S·M | 100 | 28 | 100 | 130 | 70 | 40 | 6.3(6.0) | 12 | 0.32 |
| 10150 | R·F·S·M | 150 | 28 | 100 | 130 | 90 | 60 | 6.3(6.0) | 12 | 0.40 |
| DBC 214 | R·S·M | 101.6 | 35 | 110 | 146 | 80 | 40 | 7.9 | 15 | 0.56 |
| DBC 205 | S | 78.11 | 35 | 120 | 150 | 65 | 30 | 7.9 | 12 | 0.46 |
| DBC 6205 | R·F·S·M | 152.4 | 38 | 120 | 158 | 100 | 60 | 7.9 | 15 | 0.74 |
| DBC 12200 | R·F·S·M | 200 | 38 | 120 | 158 | 120 | 80 | 7.9 | 15 | 0.90 |
| 12250 | R·F·S·M | 250 | 38 | 120 | 158 | 165 | 125 | 7.9 | 15 | 1.24 |
| DBC 212 | R·S·M | 152.4 | 45 | 130 | 166 | 100 | 60 | 9.5(10.0) | 15 | 0.98 |
| DBC 17200 | R·F·S·M | 200 | 45 | 150 | 196 | 120 | 80 | 9.5(10.0) | 15 | 1.32 |
| 17250 | R·F·S·M | 250 | 45 | 150 | 196 | 165 | 125 | 9.5(10.0) | 15 | 1.58 |
| DBC 26200 | S·M | 200 | 55 | 160 | 216 | 120 | 80 | 9.5(10.0) | 15 | 1.56 |
| 26250 | R·F·S·M | 250 | 55 | 160 | 216 | 165 | 125 | 9.5(10.0) | 15 | 2.14 |

- 주)
- 링크플레이트 ()내는 스테인레스 300시리즈임.
 - X, 2X 치수는 개략치이며, 측면사용 혹은 간섭 발생 조건일 경우에는 문의하여 주십시오.

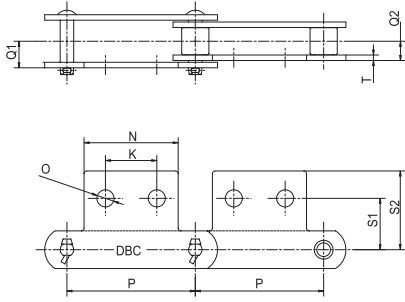
- Note)
- Numbers in brackets of the Link Plate indicates the Stainless steel 300 Series.
 - X, 2X figures are approximations. Please inquire for lateral usages and in case under the conditions of interference generation.

* Att.=Attachment

Attachments for Standard Conveyor Chains

표준형 컨베이어 체인의 어태치먼트

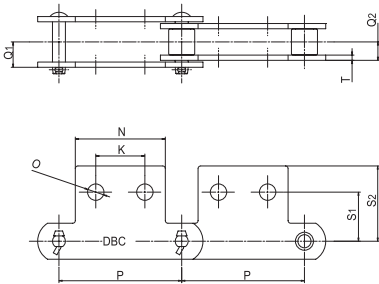
SA-2 Attachment



unit : mm

| DONG BO Chain No. | | Pitch | Dimensions | | | | | | | | add. Weight per Att.* (kg) |
|-------------------|-------------|-------|------------|----------------|----------------|----------------|----------------|-----|-----------|----|----------------------------|
| Basic Chain No. | Roller Type | | P | S ₁ | S ₂ | Q ₁ | Q ₂ | K | N | T | |
| DBC 03075 | R·S | 75 | 33 | 49 | 15.5 | 11.5 | 30 | 55 | 3.2 | 10 | 0.05 |
| 03100 | R·S | 100 | 33 | 49 | 15.5 | 11.5 | 40 | 65 | 3.2 | 10 | 0.06 |
| DBC 430 | R·S | 101.6 | 37.6 | 51.6 | 22(22.5) | 16(16.5) | 40 | 70 | 4.8(5.0) | 12 | 0.11 |
| DBC 05100 | R·S | 100 | 33.4 | 50.7 | 21 | 15.5 | 40 | 65 | 4.5 | 10 | 0.08 |
| 05150 | R·S | 150 | 33.4 | 50.7 | 21 | 15.5 | 60 | 85 | 4.5 | 10 | 0.10 |
| DBC 450 | R·S·M | 101.6 | 47.6 | 60.7 | 27(26.5) | 20(19.5) | 40 | 70 | 6.3(6.0) | 12 | 0.18 |
| DBC 08150 | R·S·M | 150 | 46.1 | 58.7 | 27(26.5) | 20(19.5) | 60 | 90 | 6.3(6.0) | 12 | 0.22 |
| DBC 650 | R·S·M | 152.4 | 50 | 63 | 28.5(28) | 21.5(21) | 60 | 90 | 6.3(6.0) | 12 | 0.22 |
| DBC 10100 | R·S·M | 100 | 46.1 | 61 | 28.5(28) | 21.5(21) | 40 | 70 | 6.3(6.0) | 12 | 0.16 |
| 10150 | R·S·M | 150 | 46.1 | 61 | 28.5(28) | 21.5(21) | 60 | 90 | 6.3(6.0) | 12 | 0.20 |
| DBC 214 | R·S·M | 101.6 | 50 | 70 | 32.5 | 23.5 | 40 | 80 | 7.9 | 15 | 0.28 |
| DBC 6205 | R·S·M | 152.4 | 55 | 75.7 | 35.5 | 26.5 | 60 | 100 | 7.9 | 15 | 0.37 |
| DBC 12200 | R·S·M | 200 | 55 | 75.7 | 35.5 | 26.5 | 80 | 120 | 7.9 | 15 | 0.45 |
| 12250 | R·S·M | 250 | 55 | 75.7 | 35.5 | 26.5 | 125 | 165 | 7.9 | 15 | 0.62 |
| DBC 212 | R·S·M | 152.4 | 60 | 83.6 | 38(39.5) | 28(28.5) | 60 | 100 | 9.5(10.0) | 15 | 0.49 |

SK-2 Attachment



unit : mm

| DONG BO Chain No. | | Pitch | Dimensions | | | | | | | | add. Weight per Att.* (kg) |
|-------------------|-------------|-------|------------|----------------|----------------|----------------|----------------|-----|-----------|----|----------------------------|
| Basic Chain No. | Roller Type | | P | S ₁ | S ₂ | Q ₁ | Q ₂ | K | N | T | |
| DBC 03075 | R·S | 75 | 33 | 49 | 15.5 | 11.5 | 30 | 55 | 3.2 | 10 | 0.10 |
| 03100 | R·S | 100 | 33 | 49 | 15.5 | 11.5 | 40 | 65 | 3.2 | 10 | 0.12 |
| DBC 430 | R·S | 101.6 | 37.6 | 51.6 | 22(22.5) | 16(16.5) | 40 | 70 | 4.8(5.0) | 12 | 0.22 |
| DBC 05100 | R·S | 100 | 33.4 | 50.7 | 21 | 15.5 | 40 | 65 | 4.5 | 10 | 0.16 |
| 05150 | R·S | 150 | 33.4 | 50.7 | 21 | 15.5 | 60 | 85 | 4.5 | 10 | 0.20 |
| DBC 450 | R·S·M | 101.6 | 47.6 | 60.7 | 27(26.5) | 20(19.5) | 40 | 70 | 6.3(6.0) | 12 | 0.36 |
| DBC 08150 | R·S·M | 150 | 46.1 | 58.7 | 27(26.5) | 20(19.5) | 60 | 90 | 6.3(6.0) | 12 | 0.44 |
| DBC 650 | R·S·M | 152.4 | 50 | 63 | 28.5(28) | 21.5(21) | 60 | 90 | 6.3(6.0) | 12 | 0.44 |
| DBC 10100 | R·S·M | 100 | 46.1 | 61 | 28.5(28) | 21.5(21) | 40 | 70 | 6.3(6.0) | 12 | 0.32 |
| 10150 | R·S·M | 150 | 46.1 | 61 | 28.5(28) | 21.5(21) | 60 | 90 | 6.3(6.0) | 12 | 0.40 |
| DBC 214 | R·S·M | 101.6 | 50 | 70 | 32.5 | 23.5 | 40 | 80 | 7.9 | 15 | 0.56 |
| DBC 6205 | R·S·M | 152.4 | 55 | 75.7 | 35.5 | 26.5 | 60 | 100 | 7.9 | 15 | 0.74 |
| DBC 12200 | R·S·M | 200 | 55 | 75.7 | 35.5 | 26.5 | 80 | 120 | 7.9 | 15 | 0.90 |
| 12250 | R·S·M | 250 | 55 | 75.7 | 35.5 | 26.5 | 125 | 165 | 7.9 | 15 | 1.24 |
| DBC 212 | R·S·M | 152.4 | 60 | 83.6 | 38(39.5) | 28(28.5) | 60 | 100 | 9.5(10.0) | 15 | 0.98 |

주)
링크플레이트 () 내는 스테인레스
300시리즈임.

Note)
Numbers in brackets of the Link Plate indicates
the Stainless steel 300 Series.

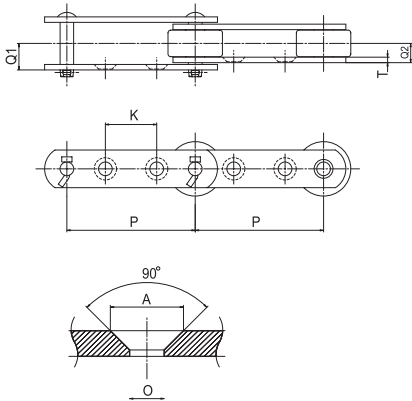
* Att.=Attachment

Attachments for Standard Conveyor Chains

표준형 컨베이어 체인의 어태치먼트

unit : mm

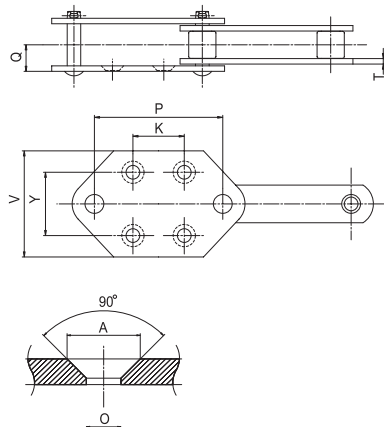
G-2 Attachment



| DONG BO Chain No. | | Pitch P | Dimensions | | | | | |
|-------------------|---------------|------------|------------|-----------|----------------|----------------|------|----|
| Basic Chain No. | Roller Type | | K | T | Q ₁ | Q ₂ | A | O |
| DBC 03075 | R · F · S | 75 | 20 | 60 | 92 | 55 | 3.2 | 10 |
| | R · S | 75 | 30 | 3.2 | 15.5 | 11.5 | 13.5 | 8 |
| | R · F · S | 100 | 50 | | | | | |
| DBC 05100 | R · S | 100 | 40 | 4.5 | 21 | 15.5 | 15 | 10 |
| | R · F · S | 150 | 60 | | | | | |
| DBC 08150 | R · F · S · M | 150 | 60 | 6.3 | 27 | 20 | 20 | 12 |
| DBC 650 | R · F · S · M | 152.4 | 60 | 6.3(6) | 28.5(28) | 21.5(21) | 20 | 12 |
| DBC 10100 | S · M | 100 | 30 | 6.3(6) | 28.5(28) | 21.5(2.1) | 20 | 12 |
| | R · F · S · M | 150 | 60 | | | | | |
| DBC 6205 | R · F · S · M | 152.4 | 50 | 7.9 | 35.5 | 26.5 | 26 | 15 |
| DBC 12200 | R · F · S · M | 200 | 80 | 7.9 | 35.5 | 26.5 | 26 | 15 |
| | R · F · S · M | 250 | 125 | | | | | |
| DBC 17200 | R · F · S · M | 200 | 70 | | | | | |
| | R · F · S · M | 250 | 110 | 9.5(10.0) | 45.5(46.5) | 35(35.5) | 26 | 15 |
| | R · F · S · M | 300 | 150 | | | | | |
| DBC 26300 | R · F · S · M | 300 | 140 | 9.5(10.0) | 48(49) | 38(38.5) | 26 | 15 |
| | R · F · S · M | 450 | 220 | | | | | |
| DBC 36450 | R · F · S · M | 450 | 220 | 12.7 | 60 | 46 | 32 | 19 |
| | R · F · S · M | 600 | 300 | | | | | |
| DBC 52450 | R · F · S | 450 | 200 | 16 | 71.5 | 45.5 | 38 | 24 |
| | R · F · S | 600 | 300 | | | | | |

unit : mm

G-4 Attachment



| DONG BO Chain No. | | Pitch P | Dimensions | | | | | | | add. Weight per Att. × 2L (kg/m) * |
|-------------------|-------------|------------|------------|-----|-----|------|------|----|----|---|
| Basic Chain No. | Roller Type | | V | K | Y | T | Q | A | O | |
| DBC 05100 | S | 100 | 80 | 50 | 50 | 4.5 | 21 | 15 | 10 | 4.6 |
| | S | 150 | 70 | 70 | | | | | | 4.1 |
| DBC 650 | S · M | 152.4 | 110 | 75 | 70 | 6.3 | 28.5 | 20 | 12 | 7.2(7.6) |
| DBC 10150 | S · M | 150 | 110 | 75 | 70 | 6.3 | 28.5 | 20 | 12 | 7.2(7.4) |
| DBC 6205 | S · M | 152.4 | 110 | 75 | 70 | 7.9 | 35.5 | 26 | 15 | 11.0(11.3) |
| DBC 12200 | S · M | 200 | 110 | 100 | 70 | 7.9 | 35.5 | 26 | 15 | 10.2(10.5) |
| DBC 17200 | S · M | 200 | 120 | 100 | 80 | 9.5 | 45.5 | 26 | 15 | 14.0(14.6) |
| | S · M | 250 | 150 | 140 | 100 | | | | | 14.5(15.0) |
| DBC 26200 | S · M | 200 | 120 | 100 | 80 | | | | | 17.5(18.5) |
| | S · M | 250 | 150 | 140 | 100 | 9.5 | 48 | 26 | 15 | 17.6(18.4) |
| | S · M | 300 | 150 | 180 | 100 | | | | | 16.7(17.4) |
| DBC 36250 | S · M | 250 | 150 | 140 | 100 | 12.7 | 60 | 32 | 19 | 27.6(28.6) |
| | S · M | 300 | 180 | 180 | | | | | | 26.2(27.1) |

* add. Weight per Att. = additional Weight per Attachment at every second link spacing
 * 2링크마다 어태치먼트 부착시의 중량(kg/m)