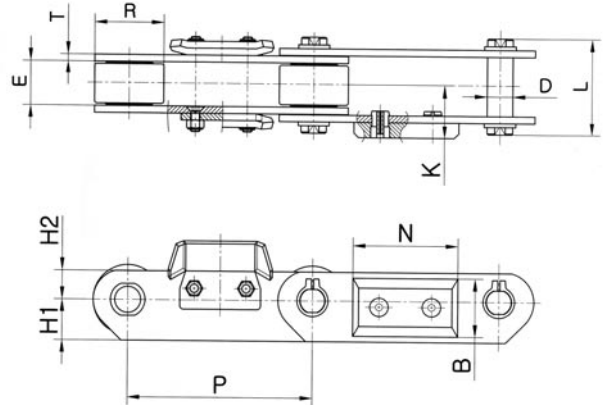


## Skid Chain for Automobile Assembly Line

It is mainly used for automobile painting and manufacturing lines.

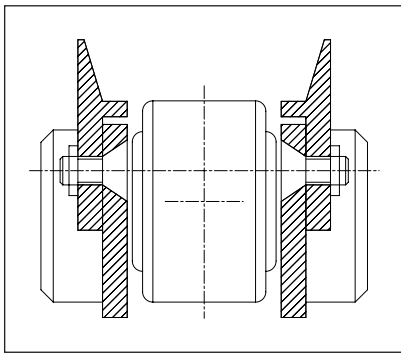
It has excellent precision and can withstand much impact, corrosion and abrasion. You can attach various attachments according to applications.



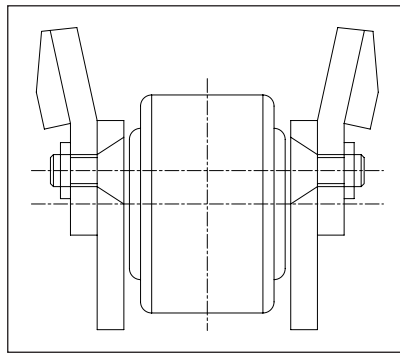
unit : mm

DONG BO CHAIN No.	Pitch P	Roller		Inner Width W	Plate			Attachment			Pin		Avg. Breaking Load(kgf)
		R	E		T	H <sub>1</sub>	H <sub>2</sub>	K	N	B	D	L	
<b>DBC SKD 160</b>	160	60	35	38	6	25	35	45	90	50	22	83	22.000

### Application of Attachment : 용도별 어태치먼트의 예



For Suspension  
서스펜션용



For Buffer  
버퍼용



For Booth  
부스용

