



# ***DBC***

## ***SUGAR MILL CHAINS***

- Bagasse Carrier Types
- Cane Carrier Types
- Bagasse Elevator Types
- Drop Forged Types



**DONG BO CHAIN IND.CO.,LTD.**



# Sugar mill chains

► Based on 45 years of experience and technical development we have made, Dong Bo Chain became a leading manufacturer of standard and specialty conveyor chains in Korea.

## Product Characteristics

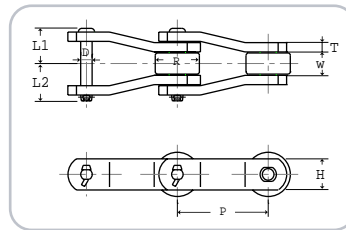
► Sugar Mill Chains are generally applied to conveying lines of raw materials for sugar production facilities, and require strong durability enough to fulfill its jobs efficiently in handicapped working environments. DBC Sugar Mill Chain is designed optimally for such special working conditions. Our production capacity extends to various ranges of the chain suitable for each field, including Cane Carrier, Bagasse Carrier, Juice Stainer, etc.

## Detailed Descriptions »

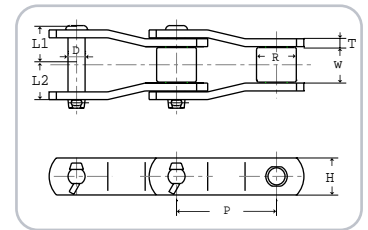


### Bagasse Carrier Types

- Easy to adjust length
- Off-set typed plate to reduce impact
- Bagasse Carrier



► Type 1



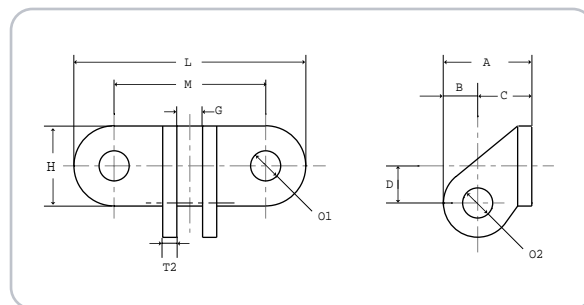
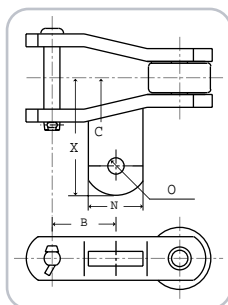
► Type 2

unit : mm

DBC CHAIN NO.	TYPE	PITCH (P)		AVERAGE BREAKING LOAD(kgf)	APPROX. WEIGHT (kg/m)	ROLLER DIA. (R)	INNER WIDTH (W)	PIN			LINK PLATE	
		mm	in					D	L <sub>1</sub>	L <sub>2</sub>	T	H
SBC 40H	I	78.11	3.075	19,500	10.2	31.75	18.1	15.88	40.05	46.65	8.0	38.0
SBC 124H	I	103.20	4.063	57,000	22.4	44.45	49.1	22.23	57.0	66.0	12.7	54.0
SBC 266	I	103.20	4.063	54,000	22.5	44.45	49.2	22.23	57.0	66.0	12.7	54.0
SBC 1113	II	102.60	4.040	18,500	10.2	50.8	37.5	17.5	38.0	45.0	6.3	38.1
SBC 1124	II	101.60	4.000	19,700	11.0	50.8	32.0	12.7	37.7	42.8	7.9	38.1
SBC 1125	II	101.60	4.000	33,000	12.7	50.8	32.6	17.5	39.5	45.1	7.9	44.5
SBC 1130	II	152.40	6.000	30,000	12.8	63.5	37.6	19.05	38.5	45.6	6.3	50.8
SBC 2184	II	152.40	6.000	45,600	18.4	76.2	34.9	22.23	44.0	53.0	9.5	50.8

► Our chain pitches are based on the above table. However, if customers need special dimension, we are also able to produce them upon customers need after consultation with us.

## Attachment

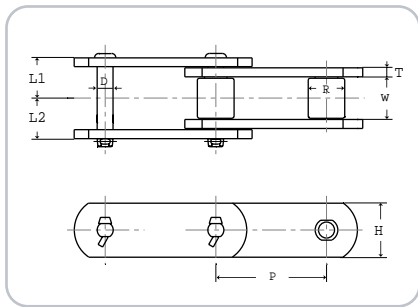


- ◀ A-22 A42 Attachment
- ◀ C wing Attachment

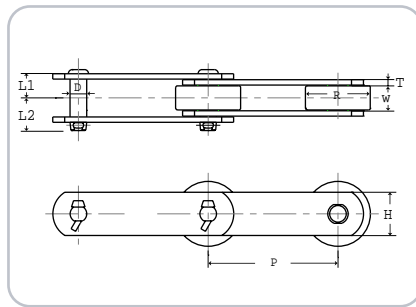


## Cane Carrier Types

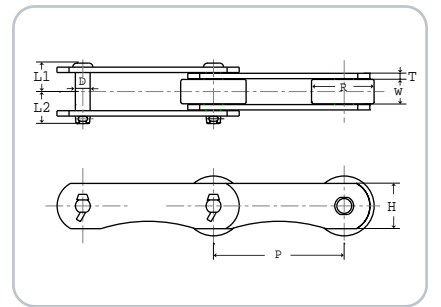
- Cane Carrier, Cane Feeder, Can Elevator
- Oversized roller to reduce impact and to decrease friction resistance operating roller on sprocket



► Type 1



► Type 2



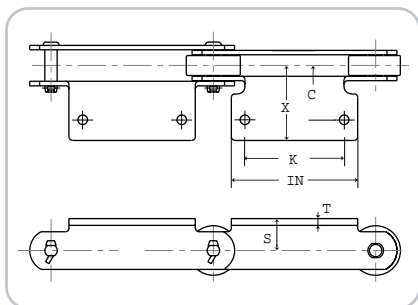
► Type 3

unit : mm

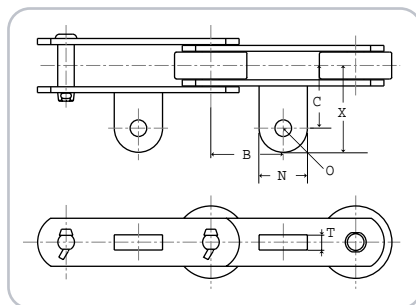
DBC CHAIN NO.	TYPE	PITCH (P)		AVERAGE BREAKING LOAD(kgf)	APPROX. WEIGHT (kg/m)	ROLLER DIA. (R)	INNER WIDTH (W)	PIN			LINK PLATE	
		mm	in					D	L <sub>1</sub>	L <sub>2</sub>	T	H
SCC 205	I	78.11	3.075	26,500	10.0	31.8	37.1	15.88	40.5	47.5	7.9	38.1
SCC 1131	I	152.4	6.000	43,500	20.5	76.2	38.1	18.94	46.7	51.6	10.0	50.8
SCC 2124	III	152.4	6.000	44,400	26.0	69.8	40.0	19.05	46.1	53.6	9.5	52.9
SCC 2188	II	101.6	4.000	30,500	11.0	44.45	33.85	15.88	39.9	46.1	7.9	41.3
SCC 2315	II	228.6	9.000	50,000	18.3	76.2	43.0	22.0	49.0	58.0	9.5	63.5

► Our chain pitches are based on the above table. However, if customers need special dimension, we are also able to produce them upon customers need after consultation with us.

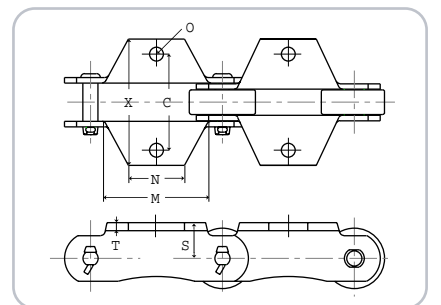
## Attachment



► A-2 Attachment



► A-42 Attachment

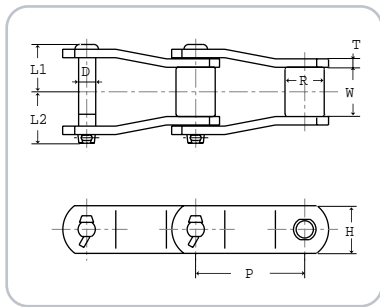


► K-1 Attachment

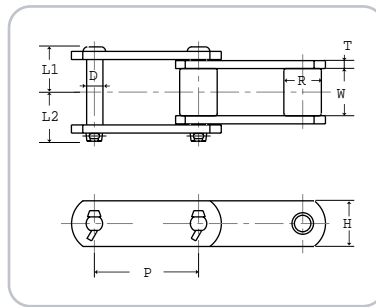


## Bagasse Elevator Types

- Precision in pitch
- Outstanding durability and strength
- Can Feeder, Juice Stainer, Sugar Elevator



► Type 1



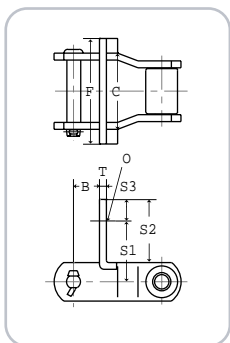
► Type 2

unit : mm

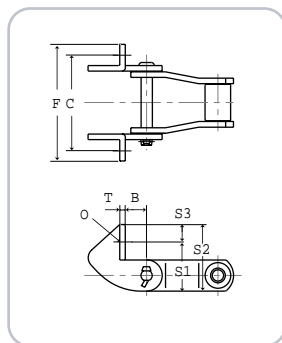
DBC CHAIN NO.	TYPE	PITCH (P)	AVERAGE BREAKING LOAD(kgf)	APPROX. WEIGHT (kg/m)	ROLLER DIA. (R)	INNER WIDTH (W)	PIN			LINK PLATE	
							D	L <sub>1</sub>	L <sub>2</sub>	T	H
SBE 224	II	66.27	15,700	5.8	22.58	27.0	11.32	31.0	35.0	6.3	28.6
SBE 488	I	66.27	15,000	5.9	22.58	28.6	11.10	31.9	37.1	6.3	28.6
SBE 488	II	66.27	15,000	5.4	22.58	28.6	11.10	31.9	37.1	6.3	28.6
SBE 4103	I	78.11	30,000	12.2	31.80	31.8	19.05	39.0	45.5	7.9	44.5
SBE 0340	I	101.60	30,500	10.9	36.50	41.3	15.88	45.1	49.2	7.9	44.5
SBE H124	I	101.60	28,600	21.5	36.50	54.0	19.05	52.3	57.2	7.9	44.5

► Our chain pitches are based on the above table. However, if customers need special dimension, we are also able to produce them upon customers need after consultation with us.

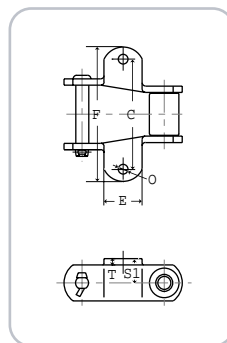
## Attachment



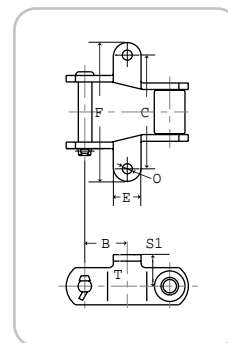
► Type 1



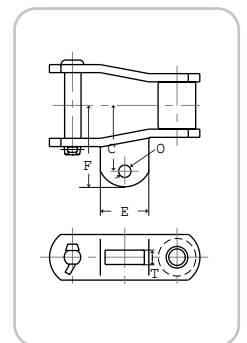
► Type 2



► Type 3



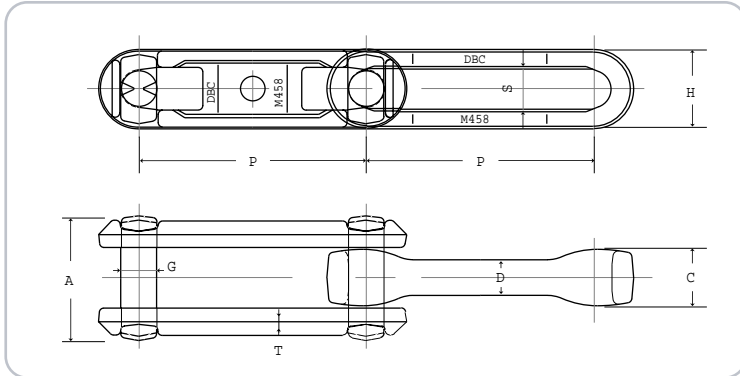
► Type 4



► Type 5

## Drop Forged Types

- Used for feeder tables and in cane washing stations
- Require no tools for assembly or disassembly



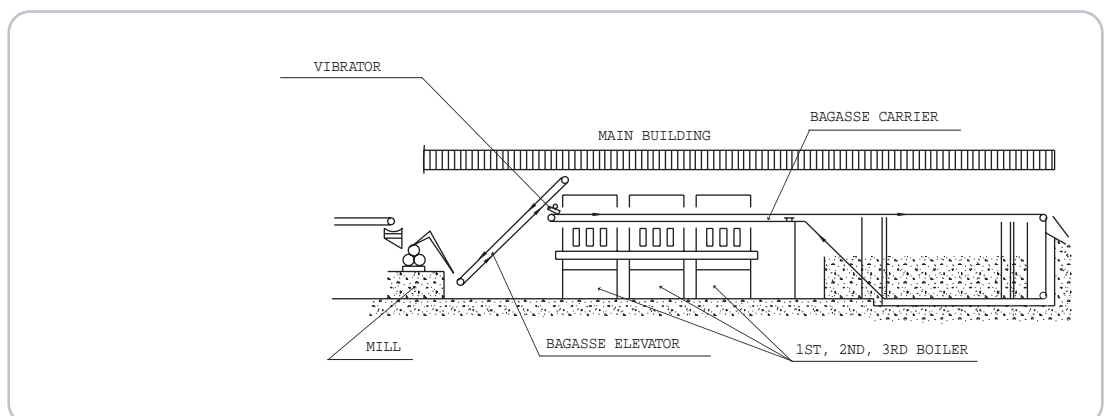
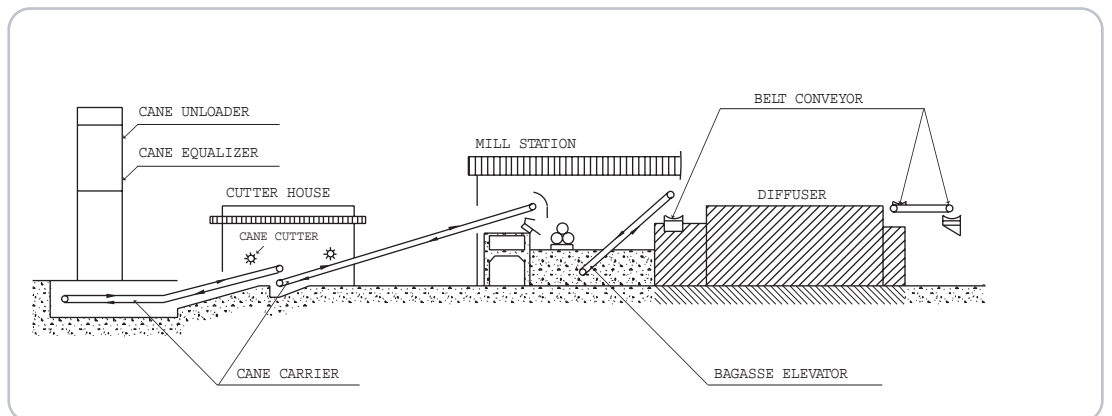
- ◀ Forming : Precision Forging Method
- ◀ Material : Alloy steel

unit : mm

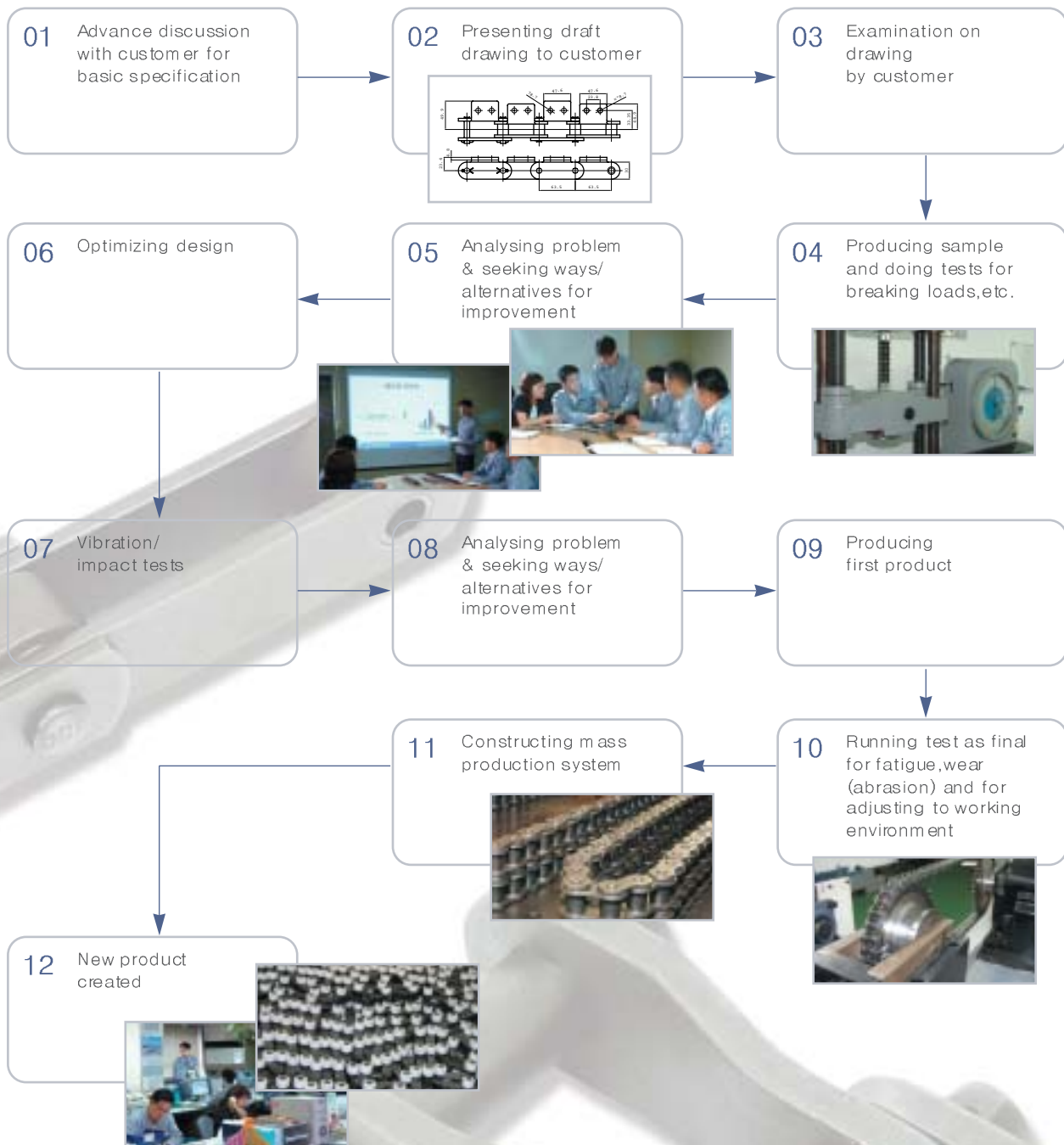
DBC CHAIN NO.	PITCH (P)		AVERAGE BREAKING LOAD(kgf)	APPROX. WEIGHT (kg/m)	WIDTH		HEIGHT (A)	PIN (G)	SIDE BAR	
	mm	in			H	S			C	D
SDF X348	76.2	3.015	11,000	3.2	28.6	14.4	46.3	12.7	19.5	13.0
SDF X458	102.1	4.031	22,000	4.6	35.7	17.9	55.6	16.0	25.4	16.2
SDF X678	153.6	6.031	38,000	9.0	50.8	25.8	77.0	22.0	31.8	21.0

► Our chain pitches are based on the above table. However, if customers need special dimension, we are also able to produce them upon customers need after consultation with us.

## Applications »



Developed and under developing products



Website : [www.dongbochain.com](http://www.dongbochain.com)  
 E-mail : [dbc@dongbochain.com](mailto:dbc@dongbochain.com)

Head Office & Factory  
 940-20, YELIM-LI, CHUNGGWAN-MYUN, KIJANG-GUN, BUSAN, SOUTH KOREA  
 TEL : +82-51-727-6911/6 (6 lines) FAX : +82-51-727-6917

Seoul Office  
 MICRO BUILDING A-103, 554-2, GASAN-DONG, GEUMCHEON-GU, SEOUL, SOUTH KOREA  
 TEL : +82-2-839-9102 FAX : +82-2-865-4973

China Factory  
 #218, CHUNCHENG ROAD, CHENGYANG WARD, QINGDAO, P. R OF CIINA  
 TEL : +86-532-8796-3341~4 (6 lines) FAX : +86-532-8796-3346

